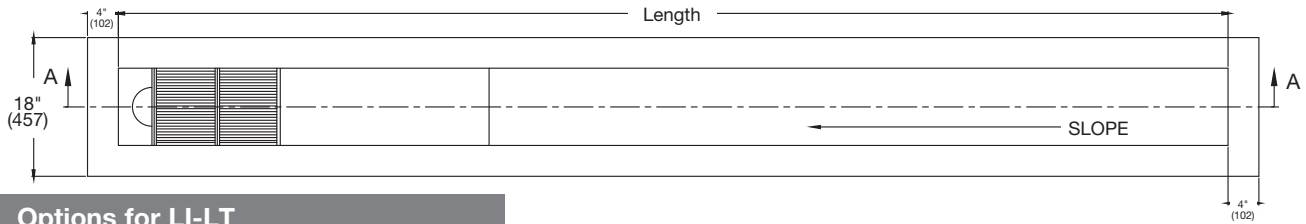
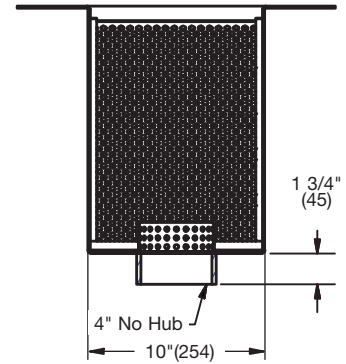


Lint & Sand Interceptors

LI-LT Series Stainless Steel Lint Trough

Model Number	EDP #	Length	List Price
LI-12-LT	8189161	12'	\$27,027
LI-8-LT	8189776	8'	\$21,873
LI-4-LT	8189401	4'	\$16,720

Note: Custom lengths available at \$4,180 per foot.
(Call for Availability)



Options for LI-LT		
Suffix	Description	List Price
-4	4' Base Option	\$16,720.00

SA-Series Heavy Duty Sand & Sediment Interceptor

Model Number	GPM	Wt. Lbs.	Cu. Ft.	Length	Width	Height	List Price	-HD 10,000 (Add) (Traffic Cover)
SA-310	300	1600	43	60"	36"	60"	\$35,702.00	\$7,161.00
SA-410	400	1750	54	72"	36"	60"	53,945.50	9,414.00
SA-510	500	2100	72	96"	36"	60"	73,643.00	13,710.50
SA-610	600	2500	81	108"	36"	60"	75,364.50	15,489.50
SA-710	700	2700	90	120"	36"	60"	82,243.00	17,083.00
SA-810	800	3000	108	144"	36"	60"	84,754.00	17,707.00
SA-1010	1000	3640	135	180"	36"	60"	100,887.00	18,942.00

*-HD Option Requires Minimum 4" Extension

Options for SA-Series		
Suffix	Description	List Price
-E	Extension Up to 12" Each Additiona Inch	\$6,584.00 451.00
-FC	Flange & Clamp Device	4,232.00
-O	Inlet & Outlet other than Standard	609.50

